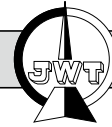
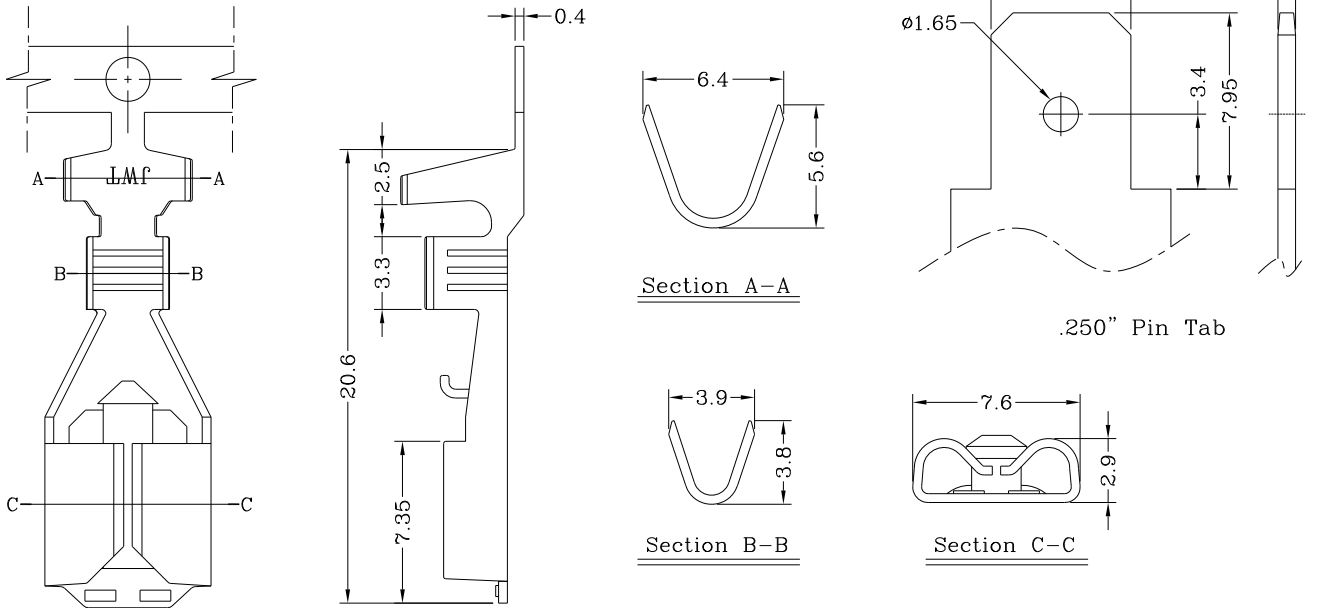


T2504 Series .250" Tab-On terminal



Features:

* Compatible with 6.35*0.8mm^t Pin-Tab



Specifications & Ordering Information:

Part No	Wire Range	Insulation O.D.	Material	Finish	Qty/Reel	Note
T2504T0B-2	AWG #14~#18	ø3.60mm (max)	Brass	Tin-plated	2,000 PCS	e: Stamping before tin plating
T2504T0B-2e	AWG #14~#18	ø3.60mm (max)	Brass	Tin-plated	2,000 PCS	